



PVC 80-MILL SYSTEMS

with Dow Elvaloy® KEE



Expect longer-lasting roof systems with superior resistance to a wide range of chemicals.

	Common rooftop chemical exposure and JM PVC's resistance	Concentrations	Rating at 20°C/ 60°C
Fuels	Diesel	100%	Good/Moderate
	Jet Fuel JP 3, 4, 5	100%	Moderate/Moderate
Oils	Vegetable Oil	100%	Good/Good
	Fats, Edible Oil	100%	Good/Good
	Crude Oil	100%	Good/Good
Acids	Sulfuric	1-20%	Good/Good
	Sulfuric	40%	Good/Moderate
Alcohols	Isopropyl Alcohol	Technically Pure	Good/Good
Bases	Sodium Hydroxide	1-30%	Good/Moderate
	Sodium Hydroxide	45%	Moderate/Moderate

Sample FM approvals.



FULLY ADHERED – CONCRETE
279382-0-0 NC-210

FULLY ADHERED – STEEL
26259-0-0 1-90

SBS HYBRID – CONCRETE
241629-236183-0 NC-435

SBS HYBRID – STEEL
16212-236183-0 1-90

RSUA – CONCRETE
339727-0-0 NC-135

RSUA – STEEL
339704-0-0 1-135

FROM HVAC CLEANING CHEMICALS TO ROOFTOP MAINTENANCE, THE LIST OF CHALLENGES ROOFS ENCOUNTER RUNS LONG.

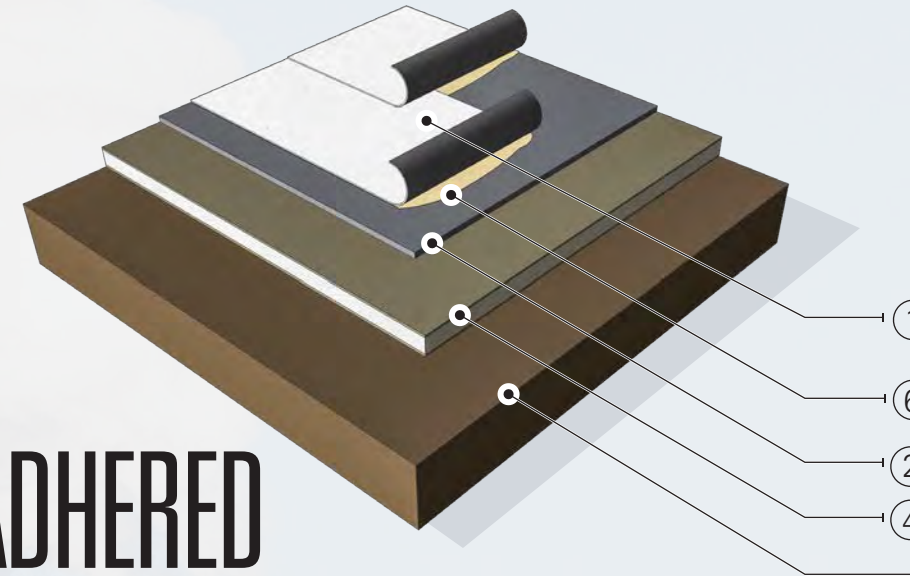
The thickness, durability and longevity of JM PVC along with a formulation that includes a solid plasticizer with Dow™ Elvaloy® KEE polymer can assist in protecting your roof from natural elements, chemicals and standard wear and tear.

PREMIUM
SOLUTION FROM JOHNS MANVILLE

25-YEAR
PROVEN FORMULATION

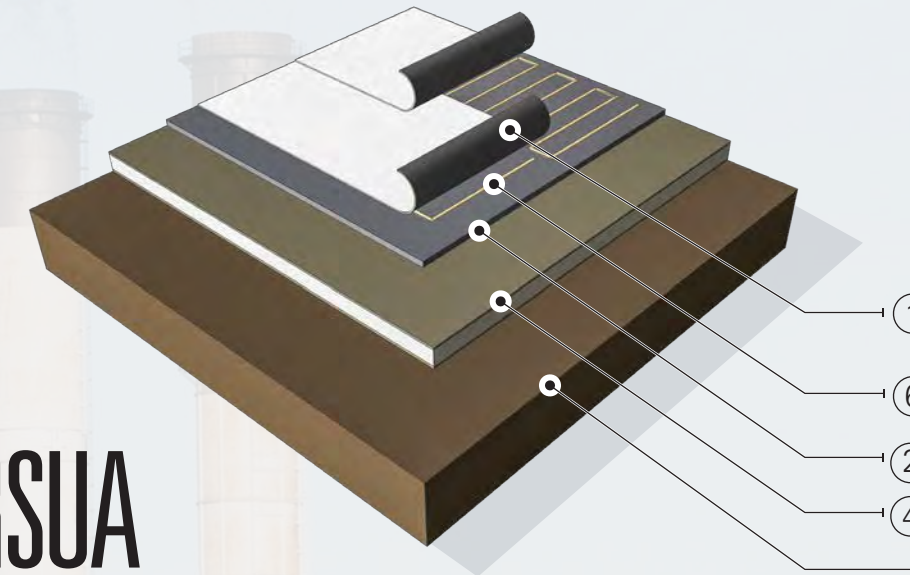
AVAILABLE WITH A
30-YEAR
PEAK ADVANTAGE® GUARANTEE

ADHERED



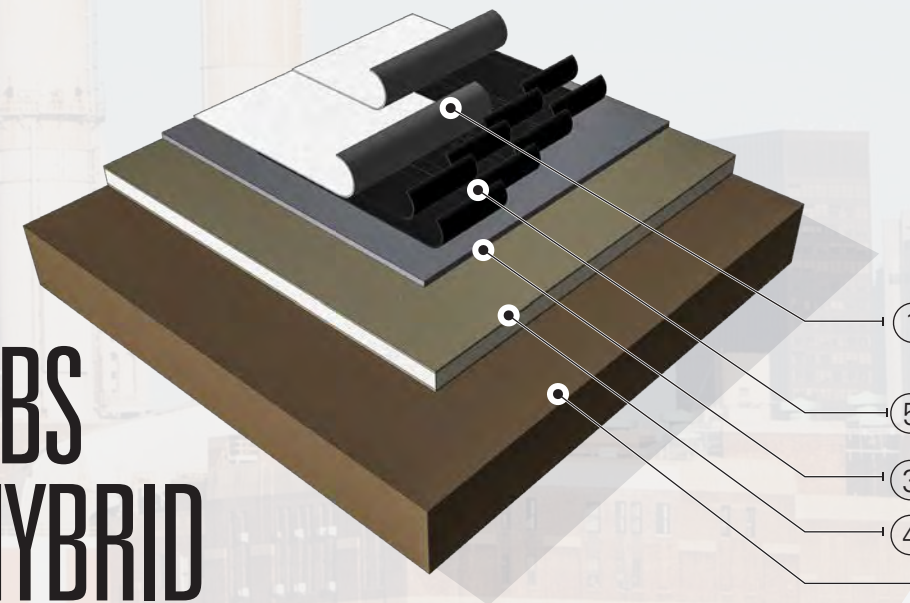
- ① JM PVC — 80 mil with Dow Elvaloy KEE Polymer
- ⑥ JM PVC Membrane Adhesive (Low VOC)
- ② Protector HD Roof Board
- ④ ENRGY 3 Polyiso
- Approved Deck

RSUA



- ① JM PVC — 80 mil Fleece Back with Dow Elvaloy KEE Polymer
- ⑥ JM Roofing System Urethane Adhesive (RSUA)
- ② Protector HD Roof Board
- ④ ENRGY 3 Polyiso
- Approved Deck

SBS HYBRID



- ① JM PVC — 80 mil Fleece Back with Dow Elvaloy KEE Polymer Set in Hot Asphalt
- ⑤ JM SBS Modified Bitumen Plies
- ③ RetroPlus Roof Board
- ④ ENRGY 3 Polyiso
- Approved Deck

1 80-mil JM PVC

The optimal amount of Dow™ Elvaloy® KEE (Ketone Ethylene Ester) polymer to ensure plasticizer retention and extend roof life

Ensures consistent performance through the roof's lifetime with a formulation containing no performance-depleting fillers above the scrim

Resists a wide variety of chemicals to potentially lower maintenance costs

Provides energy savings through its exceptional reflectivity

2 Protector® HD

Increases impact resistance to protect your roof's most valuable asset, its thermal insulation

The roof board's lighter weight decreases labor cost and is easier to handle

Does not degrade if exposed to moisture

3 RetroPlus™ Roof Board

Provides superior fire resistance as well as excellent insulation value

Contains up to 40% recycled newsprint

Offers a more cost-effective alternative to cover boards

Provides flexibility for use in hybrid/hot-asphalt applied systems

4 1½" or Greater ENRGY 3® Polyiso

Keeps occupants warmer in the winter and cooler in the summer

Offers the highest R-value per inch on the market compared to other common insulation types

5 SBS Ply Sheets

Delivers superior waterproofing in the toughest climates

Imparts flexibility and elasticity when blended with the proven waterproofing of asphalt, even in the coldest conditions when most materials tend to fracture

Provides exceptional uplift performance

Ensures better waterproofing performance, durability and lower maintenance costs through redundant layers of SBS ply sheets when installed in conjunction with JM PVC

6 Membrane Adhesives (Low VOC/RSUA)

Fully adhered systems offer more energy savings by reducing thermal bridging*

Fully adhered systems have the potential to suffer less hail-impact damage*

*When installed using approved cover board

JM PVC Coated Metal and Accessories

Prevents additional future costs with watertight protection for both adhered and mechanically fastened roofing assemblies

Gives peace of mind with specially formulated metal and accessories that can be included in your roof's 30-year Peak Advantage® Guarantee



717 17th St.
 Denver, CO 80202
 (800) 922-5922
www.jm.com/roofing

Your building is more than a building. It's your reputation on the line.

Protect your investment at all costs. The disruption of having a roof leak or roof failure in your building is simply too big a risk to take. Through the dependability and experience of Johns Manville, we are able to deliver superior solutions like the JM PVC 80-mil System.

Learn more now at JM.com/roofing.

PEAK  ADVANTAGE *Johns Manville*

Johns Manville offers one of the most comprehensive guarantees in the roofing industry. That's the advantage you can expect from a financially stable, dependable leader that has been around for over 160 years

@JohnsManvilleRoofing 


@JMRoofingSystem 

Johns Manville Commercial Roofing Systems 

Johns Manville Roofing Systems 

www.jmroofing.news 

@JohnsManvilleRoofing 

Above it all 

Aerial photo courtesy of
 Roger W. Snyder,
 Manassas, VA 